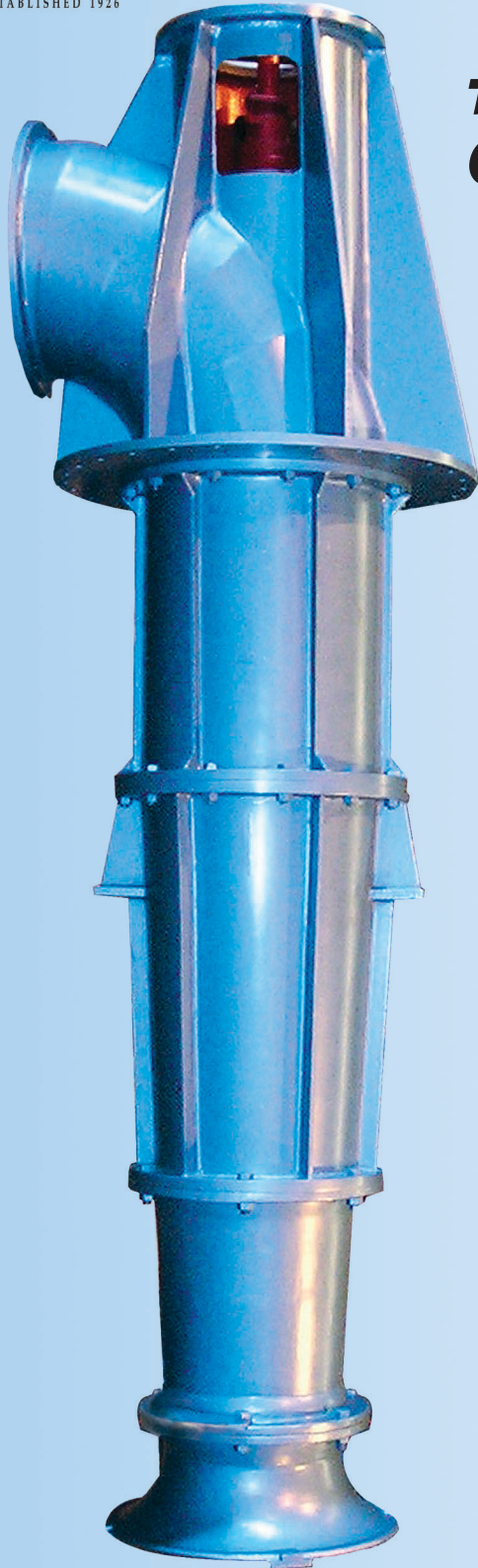


Cast Iron Construction Lineshaft Pump

**The newest addition to our proven
Couch* Lineshaft Pumps**



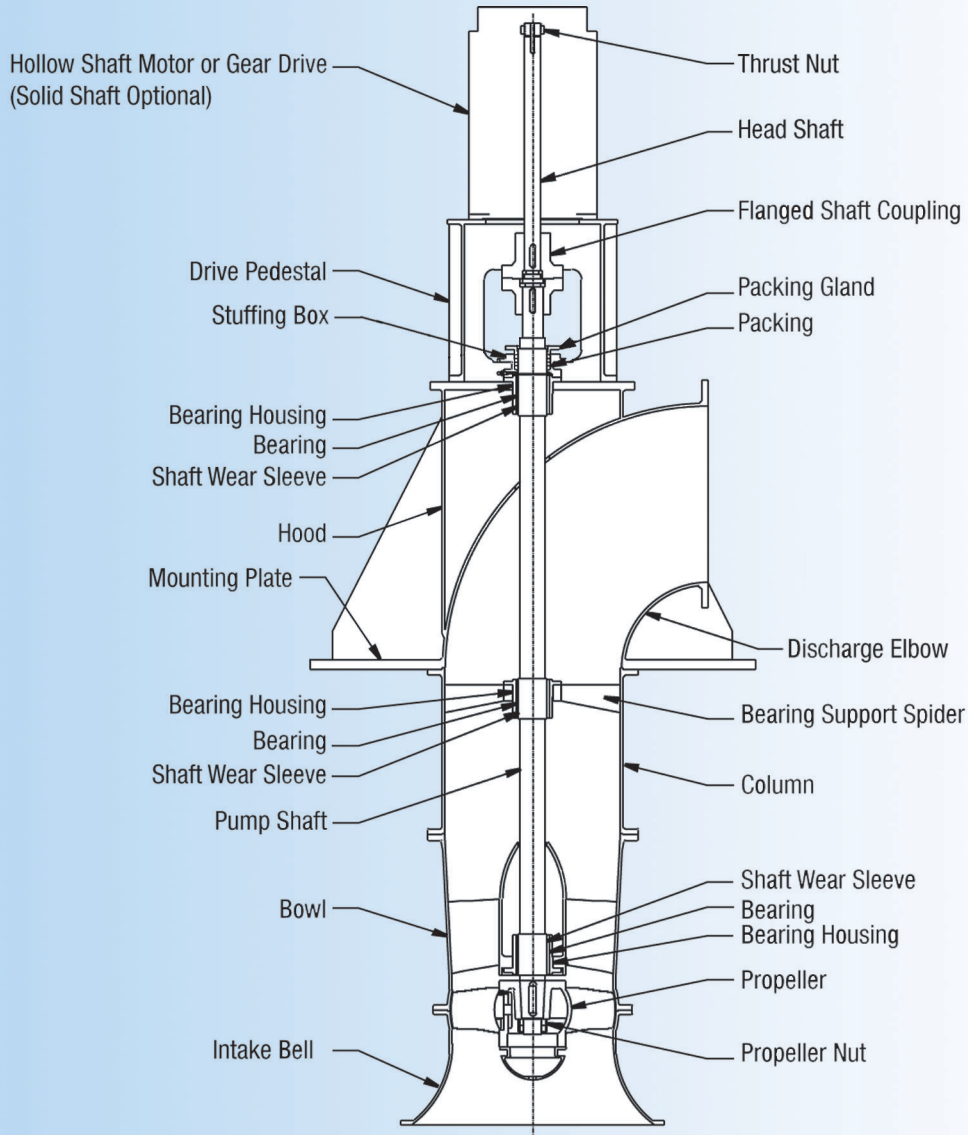
- Cost effective
- Exceptional performance
- Wide range of materials available
- Heavy duty construction
- Several lubrication options available - product, oil and grease
- Variety of installation configurations including angled
- Drive options - gear, direct drive, belt and pulley
- Axial and mixed flow models available



Member of:
Hydraulic
INSTITUTE

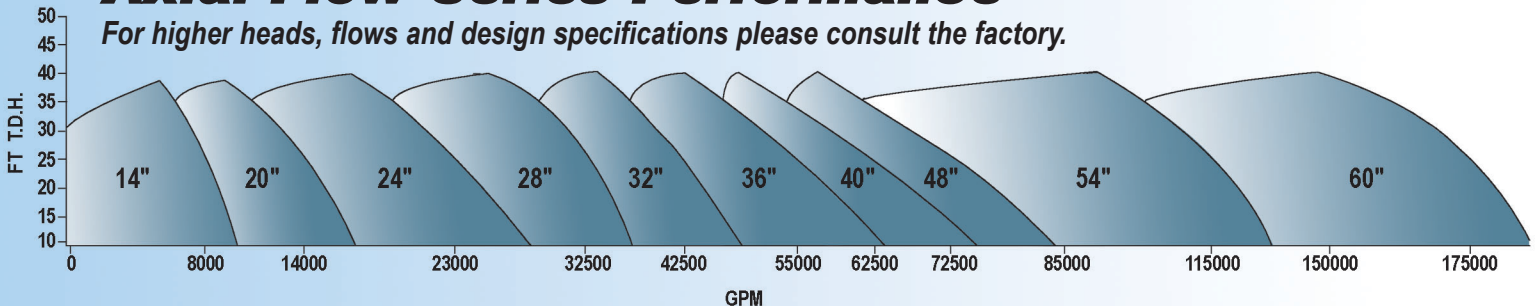
MWI Corporation | 201 North Federal Highway | Deerfield Beach | FL 33441 USA
Phone: (954) 426-1500 | Fax: (954) 426-1582 | Web: www.mwicorp.com

Cast Iron Construction Lineshaft Pump



Axial Flow Series Performance

For higher heads, flows and design specifications please consult the factory.



MWI Corporation | 201 North Federal Highway | Deerfield Beach | FL 33441 USA
Phone: (954) 426-1500 | Fax: (954) 426-1582 | Web: www.mwicorp.com

Copyright 2005. All rights reserved. Due to our continual improvement of our products, we reserve the right to change designs and specifications.